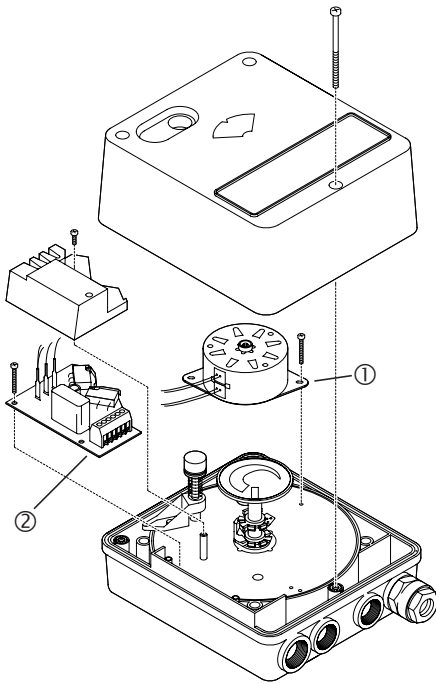


M6061A,L Electric Rotary Actuator

Spare Parts



Description	Part-No.*	M6061							
		A1013	A1021	A1039	A1047	L1019	L1027	L1035	L1043
① Synchronous motor 230 V for M6061L	030000345 030000430					•	•	•	
Synchronous motor 24 V for M6061A	030000432 030000531	•	•	•	•				
② PCB 230 V for M6061L	030000346					•	•	•	•
PCB 24 V for M6061A	030000433 030000498	•	•	•	•				