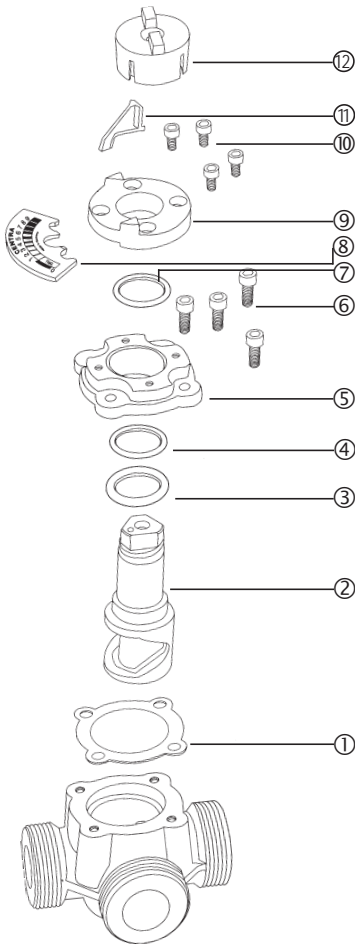


DRU / HE 3-Way Rotary Valve PN 10

Spare Parts



Plug			②
DRU 25 - 2.5	030000434		
DRU 25 - 4.0	030000435		
DRU 25 -6.3	030000436		
DRU 25 - 10	030000437		
DRU 25 - 16	030000438		
DRU 32 - 10	030000439		
DRU 32 - 16	030000440		
DRU 32 - 25	030000441		
Internal threaded socket with gaskets and cap nut, DRU25, HE25	STU25		
Internal threaded socket with gaskets and cap nut, DRU32, HE32	STU32		
Isolation for DRU 25	030000449		
Isolation for DRU 32	030000448		
Welding socket with gaskets and cap nut, DN 25	WTU25		
Welding socket with gaskets and cap nut, DN 32	WTU32		
Soldering socket with gaskets and cap nut, DN 25	LSU25-18		
Soldering socket with gaskets and cap nut, DN 25	LSU25-22		
Soldering socket with gaskets and cap nut, DN 25	LSU25-28		
Soldering socket with gaskets and cap nut, DN 32	LSU32-22		
Soldering socket with gaskets and cap nut, DN 32	LSU32-28		
Scaling package			① ③ ④ ⑤ ⑥ ⑦ ⑨ ⑩
O-ring seal with O-ring and screws			
DRU 25	030000105		
DRU 32	030000106		
Handle	DRU (V5434T)	030000447	
Scala	DRU 25 / 32	030000442	⑧
Pointer	DRU 25 / 32	030000443	⑪
Sealing package	019001030		① ③ ④ ⑦ ⑨
O-ring seal with screws	030000114		⑨ ⑩
O-ring for ring seal	071099535		④
DRU package	030000522		⑧ ⑪ ⑫